

VERNON

SPRING HOME SHOW 2023

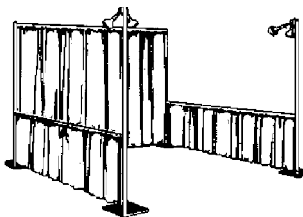
EXHIBITOR INFORMATION

LOCATION:	Kal Tire Place - NORTH ARENA ONLY 3445 - 43rd Avenue, Vernon BC V1T 8P5		
SHOW HOURS:	Saturday	March 11	10:00 am - 5:00 pm
	Sunday	March 12	10:00 am - 4:00 pm
MOVE-IN TIME:	Friday	March 10	1:00 pm - 8:00 pm
MOVE-OUT TIME:	Sunday	March 12	4:15 pm - 7:00 pm

MOVE-IN/MOVE-OUT: All move-in / move-out must be completed as above, unless prior arrangements have been approved by show management. **DO NOT tear down before the show ends on Sunday.**

NO CHILDREN UNDER THE AGE OF 16 YEARS ARE ALLOWED IN THE BUILDING OR YOUR BOOTH DURING MOVE-IN/MOVE-OUT TIMES AND OR DURING SHOW HOURS.

STANDARD BOOTH:



All standard booths are draped. The back wall is 8 ft. high; the side dividers are 3 ft. high. Each booth has 2 flood lights and minimal electrical power (350 - 400 watts). S-hooks are provided for hanging light-weight signs. **Height restrictions do apply to the side dividers, your display must not exceed 4 ft. high along the sides.**

TO RESERVE SPACE:

Follow the instructions on the Exhibit Application Form and return it to **BC HomeShows Ltd.**

ADDITIONAL SERVICES: *Must be pre-ordered, not available at the show.*

FORKLIFT SERVICES: Available - Contact our office to book.

FREE ADMISSION:

This show is a free admission show for the general public. *(Complimentary exhibitor badges will be distributed to your booth Friday evening; the exhibitor badges are optional at your discretion to wear.)*



BC HomeShows Ltd.

PO Box 1485 Station Main, Kamloops BC V2C 6L8

Sales/Admin: 250-377-8380

www.bchomeshows.com

Vernon Spring Home Show 2023

SHOW CONDITIONS

CANCELLATION/REFUND POLICY: Exhibitors are liable for full amount of contracted space. Any monies paid are non-refundable.

INSURANCE/LIABILITY: All property exhibited is at the exhibitor's sole risk, and neither Show Management nor building owners will assume any responsibility for the safety of exhibits against theft, robbery, fire, accidents or other mishaps.

PAYMENT OF ACCOUNT: Accounts must be paid in full within seven days of receiving invoice. Show Management reserves the right to refuse entry to any exhibitor whose account has not been paid in full.

MOVE-IN/MOVE-OUT: All move-in/move-out must be completed as outlined, unless prior arrangements have been approved by show management. **DO NOT tear down before the show ends on Sunday.**

NO CHILDREN UNDER THE AGE OF 16 YEARS ARE ALLOWED IN THE BUILDING OR YOUR BOOTH DURING MOVE-IN/MOVE-OUT TIMES OR DURING SHOW HOURS.

ALTERATION OF EXHIBITS: In an effort to best serve the interests of the show, Show Management reserves the right at any time, without prior notification, to alter exhibits, aisles, common carpets, feature size, booth locations or those exhibits which unduly hamper visibility to other displays. Show Management's decision to this regard is final.

SUBLETTING OF EXHIBIT SPACE: No exhibitor may sublet any portion of the booth space to another supplier without the expressed written consent of Show Management.

PRODUCTS EXHIBITED: Products exhibited are limited to those products identified and approved on exhibit application/contract.

STAFFING OF EXHIBITS: Exhibitors must staff their exhibits at all times during the show.

LABOUR DISPUTES: In the event of a labour dispute resulting in "picket activity" either as a result of an exhibitor labour dispute or any other action (including information line), BC HomeShows Ltd will not be liable for any loss of revenue from lack of consumer participation. If the exhibitor can eliminate any action by removal of their exhibit, they will be required to do so without compensation for unused exhibit space.

SHOW POSTPONEMENT: Show Management reserves the right at all times to change the dates of the show or to postpone the show in cases or circumstances beyond the control of Show Management without the exhibitor having any right to compensation for any losses, costs, expenses or damage which arise out of or are in any way connected with such change or postponement.

BC HomeShows Ltd.

PO Box 1485 Station Main, Kamloops BC V2C 6L8

Sales/Administration: 250-377-8380

www.bchomeshows.com

VERNON

SPRING HOMESHOW 2023

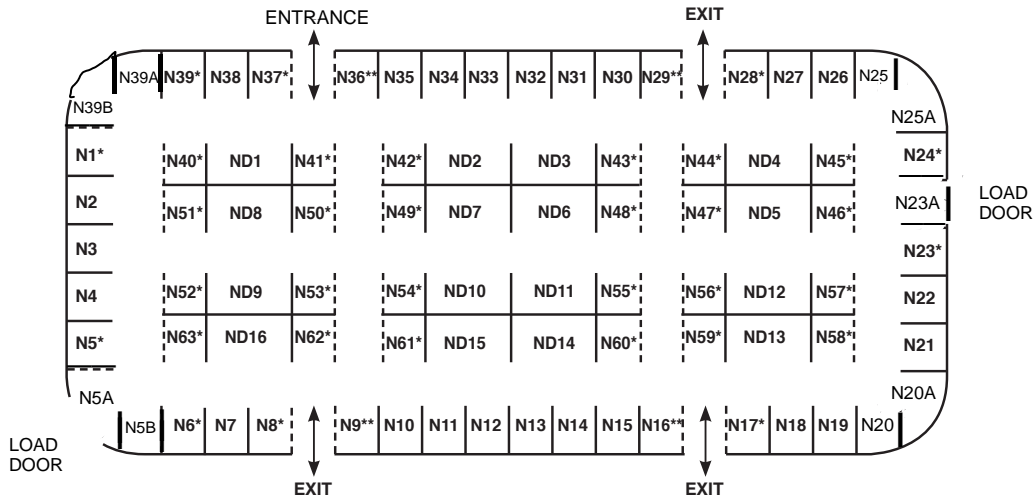
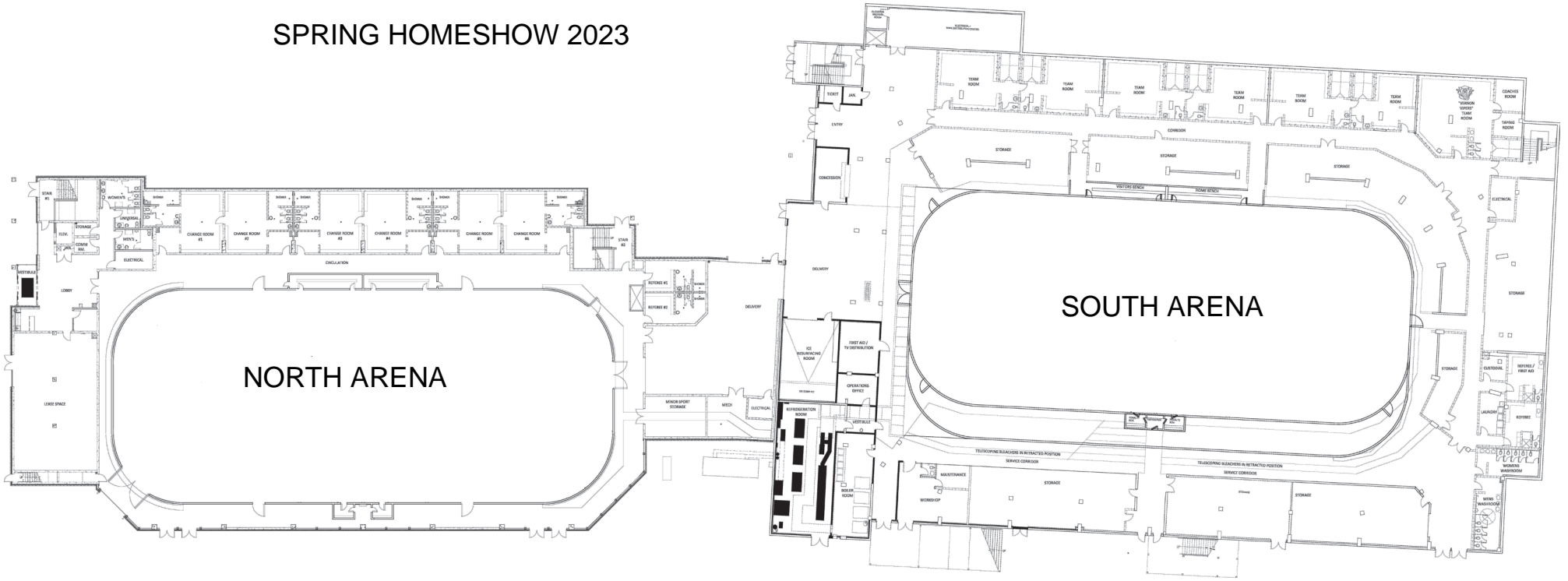


EXHIBIT APPLICATION FORM

Vernon Spring Home Show

March 11 & 12, 2023

BOOTH SIZE	LOCATION	BOOTH COST	GST	TOTAL
Single (10x9)	Booth N9, N16, N29, N36**	\$825.00	\$41.25	\$866.25
Single (10x10)	Booth N1 - N63*	\$750.00	\$37.50	\$787.50
Double (10x20)	Booth ND1 - ND16	\$1,450.00	\$72.50	\$1,522.50
Bulk (20x20)	<i>Subject to availability</i>			
*Single Corner Booth ADD		\$150.00	\$7.50	\$157.50
Other (x)				
Booth/Bulk Choice				
1st _____ 2nd _____ 3rd _____				
<u>Payment Instructions:</u>				
Booth Cost:	\$ _____	BC HomeShows Ltd.		
GST (5%):	\$ _____	PO Box 1485 Station Main, Kamloops BC V2C 6L8		
TOTAL:	\$ _____	Sales/Admin: 250-377-8380		
A cheque, money order or e-transfer for the full amount must be received by our office within seven (7) days for this application for each booth(s) or bulk area being booked for the Vernon Spring Home Show.				
PLEASE COMPLETE THE FOLLOWING Please Print		Send order form to: sales.bchs@gmail.com		
Contact Name _____	The undersigned intends to exhibit the following products/services: 1. _____ 2. _____ 3. _____ 4. _____ 5. _____ 6. _____			
Business Name _____				
Mailing Address _____				
City _____ Prov _____ PC _____				
Phone _____ Cell _____				
We hereby apply for exhibit space in the "Vernon Spring Home Show" and we agree to all the conditions as outlined under "Show Conditions."				
Authorized Signature _____				
Date _____				
EMAIL ADDRESS (Invoice will be emailed to you)				
_____	Please print your email address			

BC HomeShows Ltd.

PO Box 1485 Station Main

Kamloops, BC V2C 6L8

Sales/Admin: 250-377-8380

www.bchomeshows.com

ADDITIONAL SERVICES ORDER FORM

Must be pre-ordered, not available at the show.

SHOW NAME	BOOTH NUMBER
-----------	--------------

Qty	COVERED TABLES	Pre-Order	On-Site	Total
	6' x 30" Covered Table Blue	\$60.00	N/A	
	6' x 30" Covered Table Green	\$60.00	N/A	
	PLAIN TABLES	Pre-Order	On-Site	
	6' x 30" Plain Table	\$30.00	N/A	
	BOOTH CARPET CIRCLE YOUR COLOUR CHOICE	Pre-Order	On-Site	
	10' x 10' Blue or Green	\$100.00	N/A	
	10' x 20' Blue or Green	\$200.00	N/A	
	20' x 20' Blue or Green	\$400.00	N/A	
	ELECTRICAL (Minimal 110 Power comes with each booth)	Pre-Order	On-Site	
	110 Volt Service (Full Circuit)	\$60.00	N/A	
	220 Volt Service (30 Amp)	\$120.00	N/A	
	Forklift Service	\$150.00	N/A	
Payable To: BC HomeShows Ltd.			Sub - Total	
			GST (5%)	
			TOTAL	

Contact Name: _____

Company: _____

City: _____ PC: _____

Phone: _____ Fax: _____

Signature _____ Date _____

Send order form to:
sales.bchs@gmail.com